

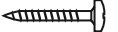


Assembly Instructions


Failure to observe the following instructions can lead to physical or material damage and compromise the proper function of the device.

Install the TensionTerminator vertically, with a clearance of 50 cm above the ground, so that the range of the rolls extends from approx. 55 cm – 195 cm.

- Fit the device only on firm and stable walls.
- Make sure that the screws and wall plugs you use are suitable for the type of wall the device is fitted to and that they can hold it firmly in place. (Minimum strength per attachment 20 kg).
- The device must be flush against the wall so that the rail cannot bend in any situation.
- The Device must not pose an obstacle or danger to any person passing in the vicinity.
- The floor below the device must be skid-proof.
- If you are unsure about these requirements, consult a skilled craftsman.

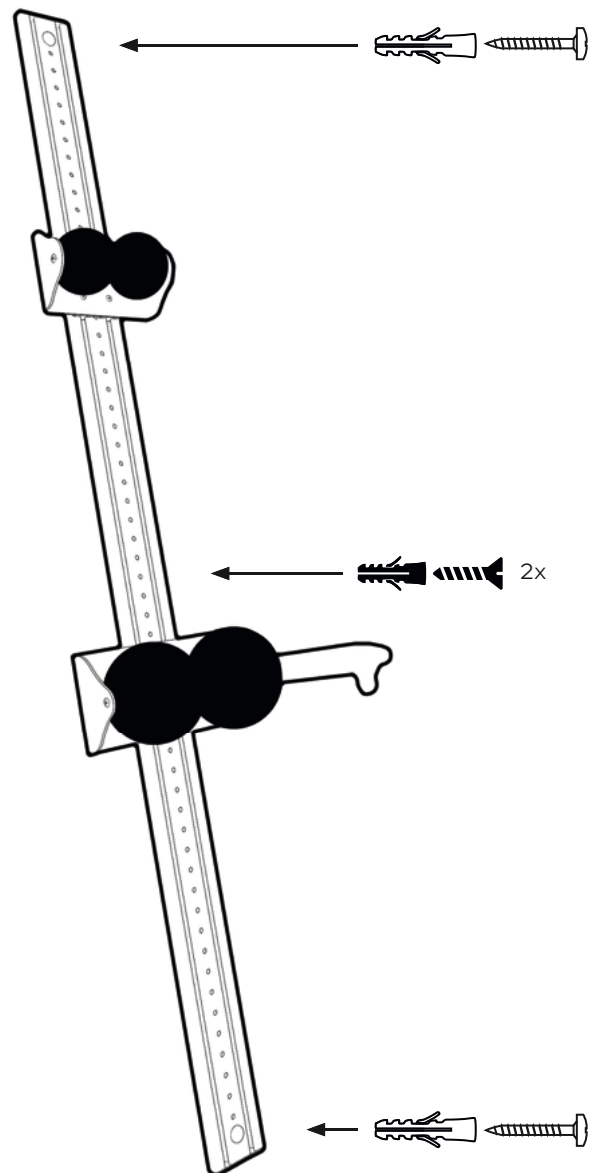
Included material:

	2x		2x
	2x		2x

 Carefully read the instructions and safety warnings before use.

Recommended Locations:

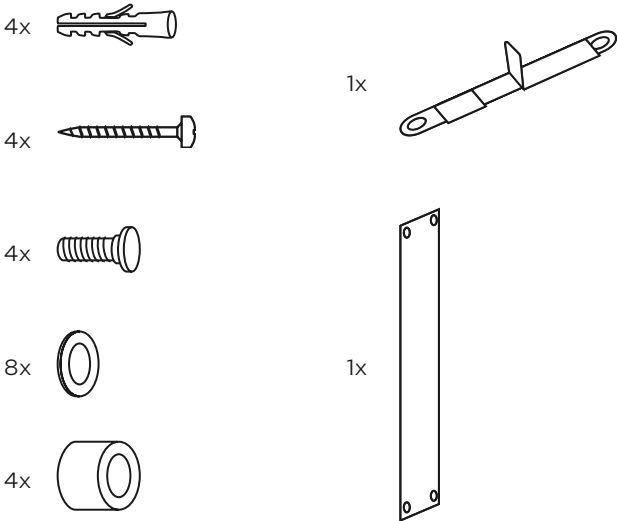
- Choose a location where the device is clearly visible.
- Choose a reasonably quiet and undisturbed location. Most users feel more comfortable in such a situation.
- Ideal locations include places where employees pass time or where they have to wait for something, e.g. near the copy machine or the coffee dispenser.




ErgoPhysion

Mounting Instructions Quick Start Board

Included material:



Installation advice:

 Carefully read the instructions and safety warnings before use.

The instructions manual **MUST** be available to all users directly at the device.

