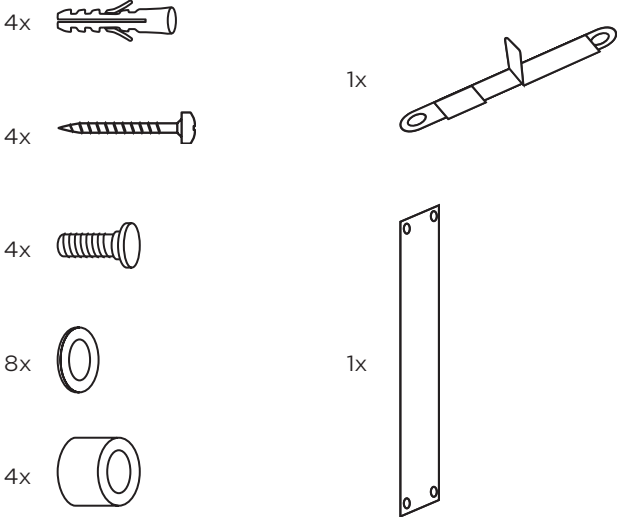



Mounting Instructions Quick Start Board

Included material:



Installation advice:

 Carefully read the instructions and safety warnings before use.

The instructions manual **MUST** be available to all users directly at the device.

